

WIRELESS COLOR WEATHER STATION

TOP BUTTONS



Color Animated Forecast with Tendency
(All icons shown here)

FRONT VIEW



Remote Temperature with Trend & Temperature Alerts

Indoor Temperature with Trend & Temperature Alerts

Remote Humidity & Trends Button Press for Mold Risk Indicator When Using Remote Sensor Indoors

Indoor Humidity & Trend Button Press for Mold Risk Indicator for Weather Station

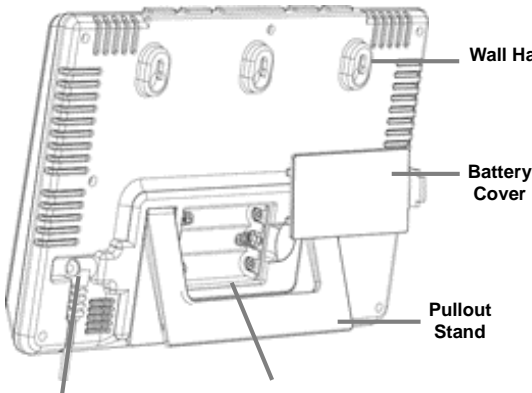


Time, Calendar + Alarm

FRONT BUTTONS



BACK VIEW



Wall Hanging Holes

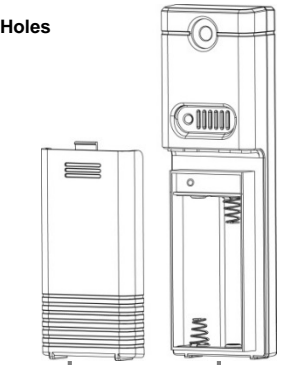
Battery Cover

Pullout Stand

AC Power Jack
GPU280500150WD00

Battery Compartment
3 "AAA"

⊕ ⊖
DC 5.0V



Sensor Battery Cover

Sensor Battery Compartment
2 "AA"

SENSOR
TX141TH-Bv2

GET STARTED

- Step 1:** Insert the included 5-volt AC power adapter into the weather station and then into wall outlet.
- Step 2 (Optional):** Insert 3 new “AAA” batteries (not included) into the weather station. Observe the correct polarity.
- Step 3:** Insert 2 new “AA” batteries (not included) into TX141TH-Bv2 sensor. Observe the correct polarity. The red LED will flash when transmitting.
- Step 4:** After 5 minutes, place the sensor in a shaded outdoor location.

SET TIME, DATE AND TEMPERATURE UNITS

1. Hold the **TIME SET** button to enter time set mode.
2. Press the ▼ or ▲ buttons to adjust the values. Hold for fast adjustment.
3. Press the **TIME SET** button to confirm adjustments and move to the next item.



Settings order:

1. WWVB ON/OFF
2. Time Zone
3. Daylight Saving Indicator ON/OFF
4. 12/24 Hour Time Format
5. Hour
6. Minutes
7. Year
8. Month
9. Date
10. Fahrenheit/Celsius

TIME ZONE	
AST	Atlantic
EST	Eastern
CST	Central
MST	Mountain
PST	Pacific
AKT	Alaska
HAT	Hawaiian

Press the **TIME SET** button to exit, or wait 20 seconds without pressing buttons to return to the normal time display.

SET TEMPERATURE ALERTS

1. Hold the **ALERTS** button until the station beeps.
2. The temperature alert value will blink in set mode.
3. Press the ▼ or ▲ buttons to adjust the temperature alert value.
4. Press the **ALERTS** button to confirm. Next, arm the temperature alerts (see below)



The temperature alert order:

1. Remote High, 2. Remote Low, 3. Indoor High, 4. Indoor Low

Press the ALERTS button to exit, or wait 20 seconds without pressing buttons to return to normal time display

ARMS/DISARMS TEMPERATURE ALERTS

Press & release the **ALERTS** button to toggle between the alerts Remote HI / Remote LOW / Indoor HI / Indoor LOW

- Press the ▲ button to arm the alert.
- Press the ▼ button to disarm the alert.
- ALERT BELL ICON appears when armed.



ACTIVE TEMPERATURE ALERT

- Beeps once per minute with flashing alert bell icon.
- Press any button to stop the alert.

HEAT INDEX/DEW POINT/MOLD RISK

- Press the **HEAT/DEW** button once to view remote Heat Index.
- Press the **HEAT/DEW** button twice to view remote Dew Point.
- Press the **HEAT/DEW** button a third time to view indoor and remote Mold Risk.



VIEW/RESET MIN/MAX VALUES

The station automatically resets minimum and maximum values daily at midnight (12:00 AM).

- Press the ▼ button to view minimum values.
- Hold the ▼ button to reset minimum values.
- Press the ▲ button to view maximum values.
- Hold the ▲ button to reset maximum values.



TEMPERATURE/HUMIDITY TREND INDICATORS

The temperature (2°F/1°C) and humidity (3% RH) trend indicators update every 30 minutes or less.

- Temperature has risen in the past 3 hours.
- Humidity has risen in the past 3 hours.

RISING



- Temperature has not changed in the past 3 hours.
- Humidity has not changed in the past 3 hours.

STEADY



- Temperature has fallen in the past 3 hours.
- Humidity has fallen in the past 3 hours.

FALLING



SET TIME ALARM

1. Hold the **ALARM** button to enter alarm time set mode.
2. Press the ▼ or ▲ buttons to adjust the Alarm Time.
3. Press the **ALARM** button to confirm adjustments and move to the next item.



Alarm Time setting order: 1. Hours, 2. Minutes

ACTIVATE/DEACTIVATE TIME ALARM

- Press the **ALARM** button once to view alarm time.
- Press the **ALARM** button again to activate the alarm. Once activated the bell icon appears.
- Press the **ALARM** button again to deactivate the alarm. The bell icon will disappear.



Alarm
Bell Icon

SNOOZE (SILENCES ALARM TEMPORARILY)

- When alarm sounds, the **SNOOZE/LIGHT** button to silence the alarm for 10 minutes.
- The alarm icon will flash.
- In snooze mode, press any button, except SNOOZE/LIGHT to stop alarm for one day.

Note: The alarm is crescendo sound. The alarm will sound for 2 minutes and then shut off completely.

ADJUST BACKLIGHT

When using A/C power:

SNOOZE / LIGHT (HI-LOW-OFF)

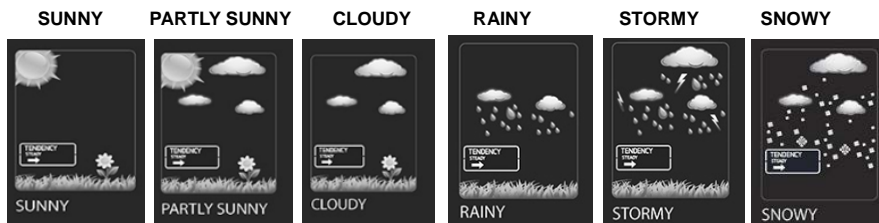
- Press the **HI/LOW/OFF** button to adjust the backlight:

When using Battery power only:

- Press the **HI/LOW/OFF** button for 10 second backlight.

Animated Forecast Icons




Animated forecast icons use changing atmospheric pressure to predict weather conditions for the next 12-hours with 70-75% accuracy.



INTELLIGENT WEATHER FORECAST

This station learns. Please allow 7 days for barometric calibration. This will ensure an accurate personal forecast for your location.

FORECAST TREND INDICATORS

 TENDENCY Rising Pressure Weather is Expected to Improve	 TENDENCY Steady Pressure Weather is Expected to Stay the Same	 TENDENCY Falling Pressure Weather is Expected to Worsen
--	--	---

MANUAL WWVB RADIO-CONTROLLED TIME SEARCH

- Press the **TIME SET** button to start or stop a manual signal search. WWVB Icon will flash

For information about WWVB visit:

www.nist.gov/pml/div688/grp40/wwvb.cfm



SEARCH FOR REMOTE SENSOR

- Hold the **HEAT/DEW** button to search for the remote sensor.
- The strength signal icon will animate until the sensor signal is received or for 3 minutes if no signal available.



LOW BATTERY ICON

Low battery icon indicates low battery for station or sensor.

- If the icon is displayed in Remote Temperature section, replace batteries in the remote sensor.
- If the icon is displayed in Indoor Temperature section, replace batteries in the weather station



**Low
Battery
Icon**

POSITION REMOTE SENSOR

Outdoor use: Mount the Remote Sensor on a north-facing wall or in any well shaded area. Under an eave or deck rail is preferred.

Indoor use: Mount the Remote Sensor indoors to monitor high mold risk areas like in a crawl space or basement.

- The maximum wireless transmission range to the weather station is over 300 feet (91 meters) in open air.
- Walls or floors decrease the transmission range.
- Be sure the remote sensor is mounted vertically.

WEATHER STATION CARE AND MAINTENANCE

- Do not mix old and new batteries
- Do not mix Alkaline, Standard, Lithium or Rechargeable Batteries
- Always purchase the correct size and grade of battery suitable for the intended use.
- Replace all batteries of a set at the same time.
- Clean the battery contacts and also those of the device prior to battery installation.
- Ensure the batteries are installed correctly with regard to polarity (+and -).
- Remove batteries from equipment with is not to be used for an extended period.
- Remove expired batteries promptly.
- The specs of this product may change without prior notice.
- If the product is not working properly, change the batteries and/or check the A/C cord connection.

SPECIFICATIONS

Indoor:	
Temperature Range:	+32°F to +122°F (0°C to 50°C)
Humidity Range:	1%-99% (RH)
Interval:	About every 30 seconds
Remote:	
Temperature Range:	-40°F to 140°F (-40°C to 60°C)
Alkaline Batteries:	-20°F to 140°F (-28.8°C to 60°C)

Lithium Batteries:	-40°F to 140°F (-40°C to 60°C)
NOTE:	Temperatures below - 20°F (-28.8°C) require Lithium batteries in the remote sensor.
Humidity Range:	1%-99% (RH)
Distance:	Over 300 ft. (91 meters) RF 433MHz (open air)
Interval:	About every 50 seconds
Power:	
Forecast Station	
Primary Power: AC#: GPU280500150WD00	5-volt AC power adapter (included)
Optional/Battery Backup	Optional 3-AAA, IEC, LR3 batteries (not included)
TX141TH-Bv2 Sensor:	2-AA, IEC, LR6 batteries (not included)
Battery Life:	
Forecast Station Battery Backup:	Battery life is over 24 months when using the AC adapter for primary power
TX141TH-Bv2 Sensor:	Battery life is over 12 months when using reputable battery brands for both Alkaline and Lithium batteries
Dimensions:	
Forecast Station:	8.34" L x 1.03" W x 5.48" H (211.836 x 26.162 x 139.192mm)
TX141TH-Bv2 Sensor:	1.57" x 0.79" x 5.12" (40 x 20 x 130mm)

WARRANTY AND SUPPORT INFORMATION

La Crosse Technology, Ltd. provides a 1-year limited time warranty (from date of purchase) on this product relating to manufacturing defects in materials & workmanship.

Before returning a product, please contact our friendly customer support with questions or visit our online help (manuals and FAQs):

Phone: 1-608-782-1610

Online Product Support: www.lacrossetechnology.com/support

Product Registration:

www.lacrossetechnology.com/support/register

View full warranty details online at:

www.lacrossetechnology.com/warranty_info.pdf

Warranty Address:

La Crosse Technology, Ltd
2830 S. 26th St.
La Crosse, WI 54601

Protected under U.S. Patents:

5,978,738 | 6,076,044 | RE43903



FCC STATEMENT

This equipment has been tested and found to comply with the limits for a Class B digital device, pursuant to part 15 of the FCC Rules. These limits are designed to provide reasonable protection against harmful interference in a residential installation. This equipment generates, uses and can radiate radio frequency energy and, if not installed and used in accordance with the instructions, may cause harmful interference to radio communications. However, there is no guarantee that interference will not occur in a particular installation. If this equipment does cause harmful interference to radio or television reception, which can be determined by turning the equipment off and on, the user is encouraged to try to correct the interference by one or more of the following measures:

- Reorient or relocate the receiving antenna.
- Increase the separation between the equipment and receiver.
- Connect the equipment into an outlet on a circuit different from that to which the receiver is connected.
- Consult the dealer or an experienced radio/TV technician for help.

This device must not be co-located or operating in conjunction with any other antenna or transmitter.

Operation is subject to the following two conditions:

- (1) This device may not cause harmful interference, and
- (2) This device must accept any interference received, including interference that may cause undesired operation.

Caution!

The manufacturer is not responsible for any radio or TV interference caused by unauthorized changes or modifications to this equipment. Such changes or modifications could void the user authority to operate the equipment.

All rights reserved. This manual may not be reproduced in any form, even in part, or duplicated or processed using electronic, mechanical or chemical process without the written permission of the publisher.

This booklet may contain errors or misprints. The information it contains is regularly checked and corrections are included in subsequent editions. We disclaim any responsibility for any technical error or printing error, or their consequences.

All trademarks and patents are recognized.

CANADA STATEMENT

This device complies with Industry Canada's license-exempt RSSs. Operation is subject to the following two conditions:

- (1) This device may not cause interference; and
- (2) This device must accept any interference, including interference that may cause undesired operation of the device.