

Fig.A

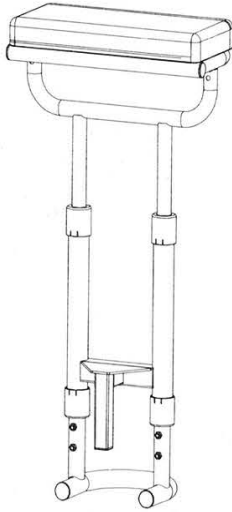


Fig.A
Seat assembly

Fig.B

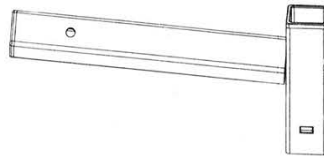
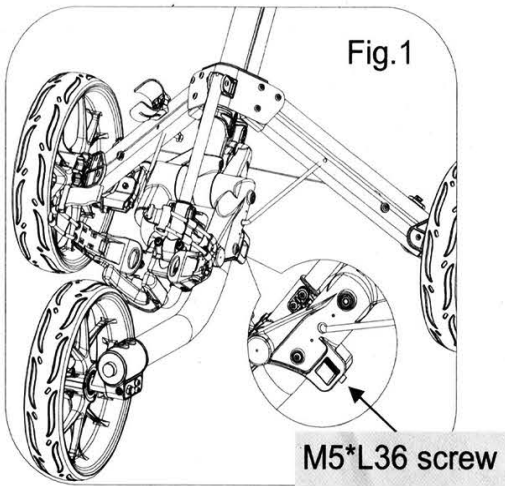


Fig.B
Seat bracket

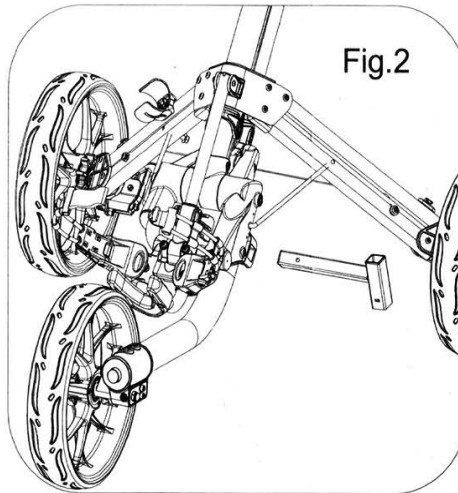
Fig.1



M5*L36 screw

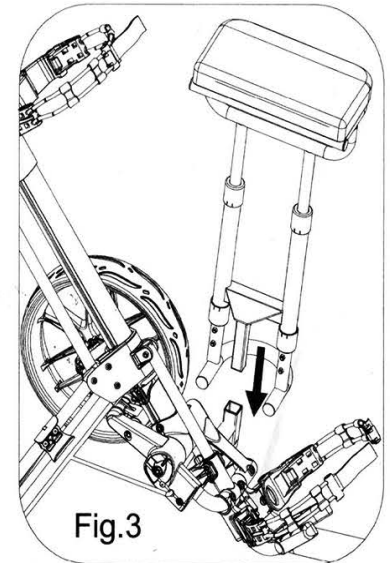
Release the screw M5*L36 on the bottom side of the front wheel holder tube as shown above.

Fig.2



Insert the seat bracket into the holder and tighten the screw M5*L36 as shown.

Fig.3



Insert the seat assembly onto the seat bracket.